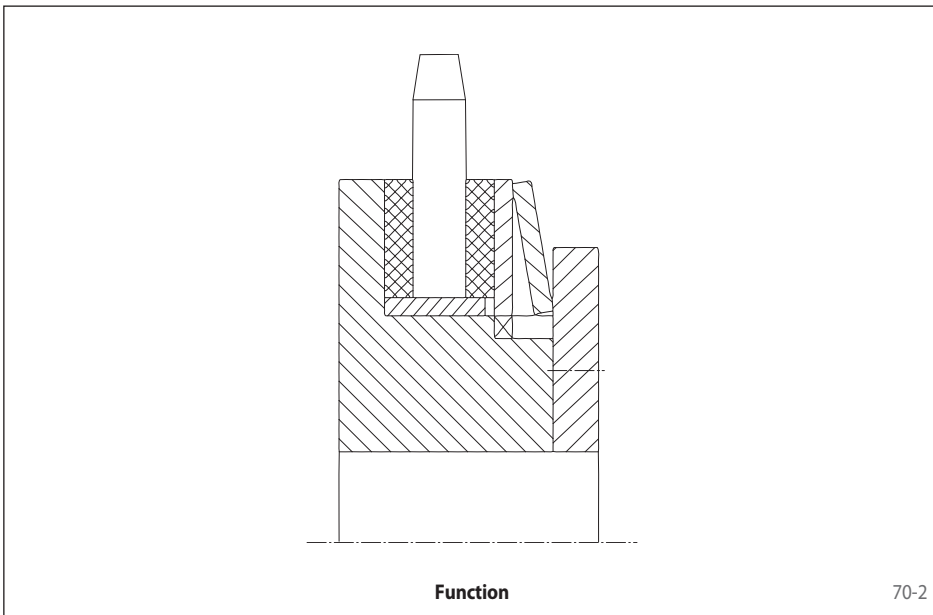


Advantages

- Cost effective, simple Torque Limiter
- Adjustment option for pad wear
- 12 Sizes for slipping torques from 0,5 Nm to 10 000 Nm

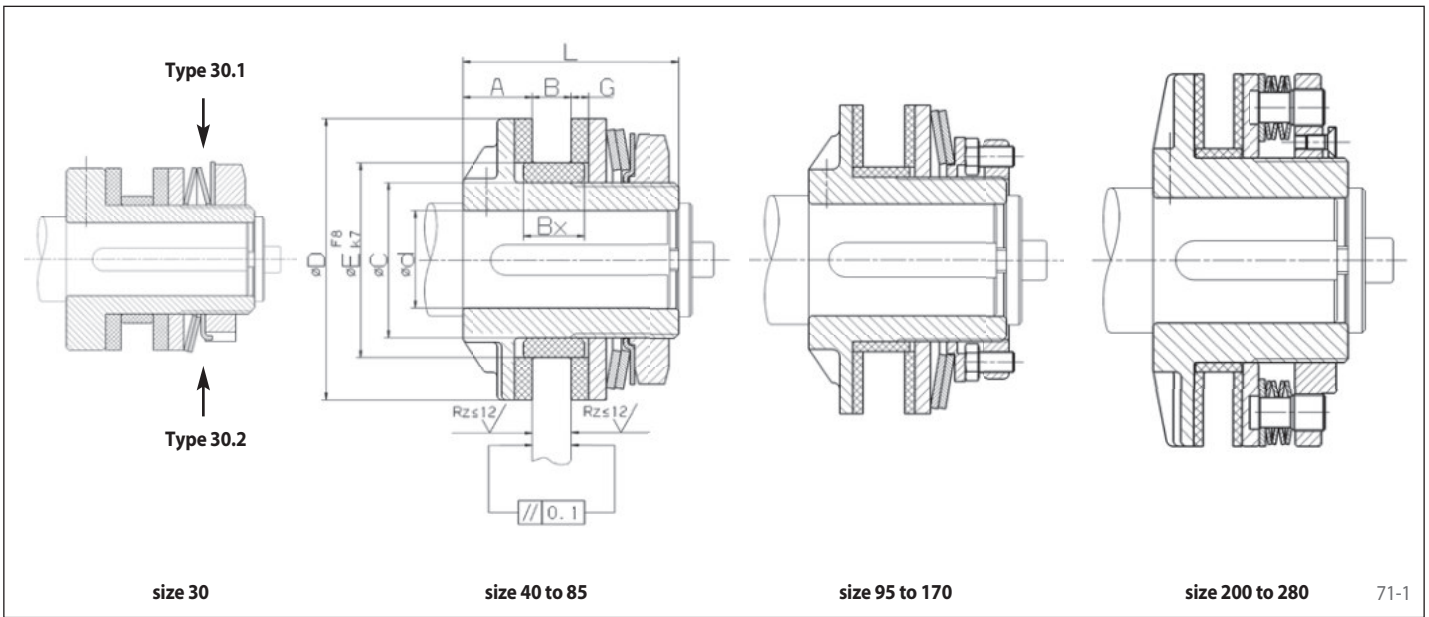


The Belleville Spring Principle

Belleville springs produce the contact force on the friction linings. Because of the Belleville spring torque limiters' steep characteristic of the contact force the spring preload needs to be readjusted when the friction linings become worn. Belleville spring Torque Limiters are therefore preferred in applications where slipping periods are short and infrequent.

Function

- When the preset slipping torque has been reached the built-in component (e. g. chain wheel) slips.
- During the slipping process, input and output rotate relative to each other and the preset slipping torque continues to be transmitted.
- Inherent in the slipping process is a high energy consumption.
- Re-engagement is not necessary.



Technical Data and Dimensions

| Type | Art.-No. | Slipping torque Nm | Max. speed min^{-1} | Bore d_{H7} | | | A mm | B max. mm | $B_x^{3)}$ mm | C mm | D mm | E mm | L mm | G mm |
|----------|-------------|-----------------------|---------------------------------|--------------------------|--------------------------|--------------------------|---------|--------------|------------------|---------|---------|---------|---------|---------|
| | | | | min. ¹⁾ mm | max. ¹⁾ mm | max. ²⁾ mm | | | | | | | | |
| RT 30.1 | 4476-003001 | 0,5 - 5 | 1500 | 5,5 | 11 | 12 | 9,0 | 6 | 6 | 18 | 30 | 21 | 31 | 2,5 |
| RT 30.2 | 4476-003002 | 1,0 - 10 | 1500 | 5,5 | 11 | 12 | 9,0 | 6 | 6 | 18 | 30 | 21 | 31 | 2,5 |
| RT 40.1 | 4476-004001 | 5 - 15 | 800 | 8 | 14 | 16 | 8,0 | 7 | 8 | 22 | 40 | 26 | 28 | 2,8 |
| RT 40.2 | 4476-004002 | 8 - 28 | 800 | 8 | 14 | 16 | 8,0 | 7 | 8 | 22 | 40 | 26 | 28 | 2,8 |
| RT 40.3 | 4476-004003 | 12 - 40 | 800 | 8 | 14 | 16 | 8,0 | 7 | 8 | 22 | 40 | 26 | 28 | 2,8 |
| RT 45.1 | 4476-004501 | 9 - 30 | 700 | 8 | 20 | 22 | 8,5 | 8 | 9 | 32 | 45 | 35 | 33 | 3,0 |
| RT 45.2 | 4476-004502 | 14 - 55 | 700 | 8 | 20 | 22 | 8,5 | 8 | 9 | 32 | 45 | 35 | 33 | 3,0 |
| RT 45.3 | 4476-004503 | 15 - 70 | 700 | 8 | 20 | 22 | 8,5 | 8 | 9 | 32 | 45 | 35 | 33 | 3,0 |
| RT 65.1 | 4476-006501 | 20 - 70 | 700 | 11 | 22 | 25 | 16,0 | 13 | 14 | 36 | 65 | 45 | 50 | 4,0 |
| RT 65.2 | 4476-006502 | 32 - 120 | 700 | 11 | 22 | 25 | 16,0 | 13 | 14 | 36 | 65 | 45 | 50 | 4,0 |
| RT 85.1 | 4476-008501 | 16 - 130 | 600 | 16 | 30 | 30 | 17,0 | 15 | 16 | 42 | 85 | 52 | 55 | 4,0 |
| RT 85.2 | 4476-008502 | 26 - 240 | 600 | 16 | 30 | 30 | 17,0 | 15 | 16 | 42 | 85 | 52 | 55 | 4,0 |
| RT 95.1 | 4476-009501 | 22 - 190 | 600 | 16 | 35 | 38 | 18,0 | 15 | 16 | 52 | 95 | 60 | 66 | 4,0 |
| RT 95.2 | 4476-009502 | 32 - 340 | 600 | 16 | 35 | 38 | 18,0 | 15 | 16 | 52 | 95 | 60 | 66 | 4,0 |
| RT 120.1 | 4476-012001 | 25 - 350 | 500 | 21 | 45 | 48 | 21,0 | 20 | 21 | 64 | 120 | 73 | 77 | 4,0 |
| RT 120.2 | 4476-012002 | 48 - 650 | 500 | 21 | 45 | 48 | 21,0 | 20 | 21 | 64 | 120 | 73 | 77 | 4,0 |
| RT 140.1 | 4476-014001 | 110 - 650 | 400 | 21 | 60 | 60 | 23,0 | 20 | 22 | 85 | 140 | 90 | 86 | 4,0 |
| RT 140.2 | 4476-014002 | 125 - 1200 | 400 | 21 | 60 | 60 | 23,0 | 20 | 22 | 85 | 140 | 90 | 86 | 4,0 |
| RT 170.1 | 4476-017001 | 80 - 1000 | 350 | 29 | 65 | 70 | 26,5 | 20 | 24 | 90 | 170 | 100 | 93 | 4,6 |
| RT 170.2 | 4476-017002 | 200 - 1800 | 350 | 29 | 65 | 70 | 26,5 | 20 | 24 | 90 | 170 | 100 | 93 | 4,6 |
| RT 200.1 | 4476-020001 | 636 - 2200 | 250 | 37 | 80 | 80 | 27,0 | 20 | 24 | 110 | 200 | 120 | 105 | 5,0 |
| RT 200.2 | 4476-020002 | 890 - 4000 | 250 | 37 | 80 | 80 | 27,0 | 20 | 24 | 110 | 200 | 120 | 105 | 5,0 |
| RT 254.1 | 4476-025401 | 1145 - 3800 | 200 | 50 | 90 | 100 | 33,0 | 29 | 32 | 125 | 254 | 140 | 120 | 5,0 |
| RT 254.2 | 4476-025402 | 2067 - 6800 | 200 | 50 | 90 | 100 | 33,0 | 29 | 32 | 125 | 254 | 140 | 120 | 5,0 |
| RT 280.1 | 4476-028001 | 1510 - 5.500 | 180 | 50 | 120 | 120 | 33,0 | 29 | 32 | 155 | 280 | 170 | 120 | 5,0 |
| RT 280.2 | 4476-028002 | 2544 - 10000 | 180 | 50 | 120 | 120 | 33,0 | 29 | 32 | 155 | 280 | 170 | 120 | 5,0 |

¹⁾ Keyway as per DIN 6885, page 1 · Tolerance of keyway width P9

²⁾ Keyway as per DIN 6885, page 3 · Tolerance of keyway width P9

³⁾ If $B+G+1,5 \text{ mm} > B_x$, than use 2 bearings bushes (does not apply to RT 30.X).

Supply

Unless specified otherwise, the Torque Limiters are supplied with a pilot bore, including plain bearing and friction linings.

Accessories

- All sizes available with chain wheel

Please specify when ordering

- Type of Torque Limiter
- Diameter d, if finish bore is requested

Morskate®



Any questions? Please contact us.

Morskate Aandrijvingen BV

Oosterveldsingel 47A
7558 PJ Hengelo (Ov)
The Netherlands

NL

T +31 (0)74 - 760 11 11
info@morskateaandrijvingen.nl
www.morskateaandrijvingen.nl

DE

T +49 692 - 222 34 95
info@morskateantriebstechnik.de
www.morskateantriebstechnik.de

EN

T +31 (0)74 - 760 11 11
info@morskatedrivetechnology.com
www.morskatedrivetechnology.com